

58 Captive Screws

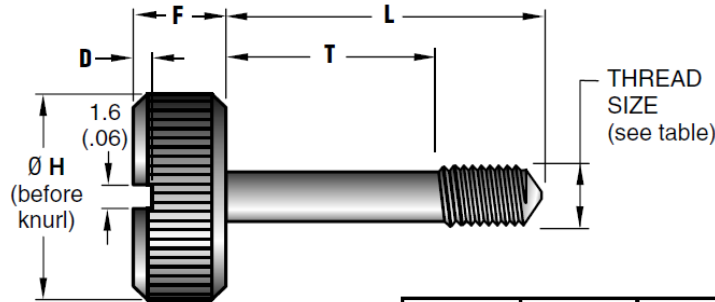
Basic · Spring-ejected · 8-32, 10-32 and 1/4-20 thread size

Features

- Generous knob for hand operation
- Highly polished appearance
- Captivated by retainer

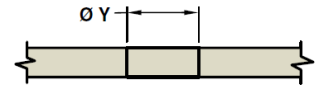
Material

- Screw: 302 stainless steel, passivated
- Black screws have black organic coating
- Retainers: 302 stainless steel, passivated.



Ø H	D	F
14.3 (.56)	1.3 (.09)	6.3 (.25)
11.1 (.44)	1.6 (.06)	6.3 (.25)
10.3 (.41)	1.6 (.06)	6.0 (.24)

Panel Preparation



THREAD SIZE	Ø Y	THREAD SIZE	Ø Y
No. 8-32	(.170)	M4 x 0.7	4.5
No. 10-32	(.196)	M5 x 0.8	5.5
1/4-20	(.257)	M6 x 1.0	6.6

English Thread Sizes

Dimensions		PART NUMBERS		
		Ø H = 11.1 (.44)		Ø H = 14.3 (.56)
L	T	8-32	10-32	1/4-20
24 (.94)	14 (.56)	58-27-309-24	58-26-309-24	58-21-209-24
25 (1.00)	16 (.63)	58-27-310-24	58-26-310-24	58-21-210-24
27 (1.06)	17.5 (.69)	58-27-311-24	58-26-311-24	58-21-211-24
28.6 (1.13)	19 (.75)	58-27-312-24	58-26-312-24	58-21-212-24
30.2 (1.19)	20.6 (.81)	58-27-313-24	58-26-313-24	58-21-213-24
31.8 (1.25)	22.2 (.88)	58-27-314-24	58-26-314-24	58-21-214-24
33.3 (1.31)	23.8 (.94)	58-27-315-24	58-26-315-24	58-21-215-24
35 (1.38)	25.4 (1.00)	58-27-316-24	58-26-316-24	58-21-216-24

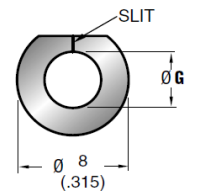
Notes

- For screws with BLACK Finish, change the last digit of part number from a "4" to a "6"
- Example: 58-27-309-26

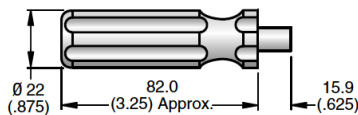
Metric Thread Sizes

Dimensions		Ø H = 10.3 (.41)	Ø H = 11.1 (.44)	Ø H = 14.3 (.56)
L	T	M4 x 0.7	M5 x 0.8	M6 x 1.0
24 (.94)	14 (.55)	58-74-314-24	58-76-314-24	58-77-214-24
26 (1.02)	16 (.63)	_____	_____	58-77-216-24

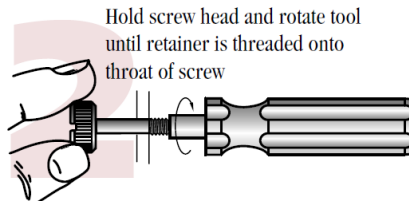
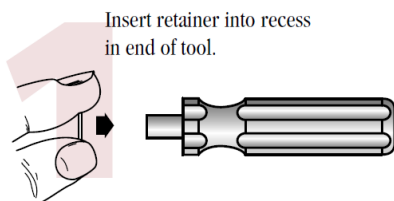
Split Ring Retainer



Installation Tool (order separately)



PART NUMBER
29-53-101-10



Screw Thread Size	Ø G	PART NUMBER
M4 x 0.7 No. 8-32	3.5 (.139)	58-45-5-24
M5 x 0.8 No. 10-32	4.2 (.165)	58-42-5-24
M6 x 1.0 1/4-20	5.1 (.202)	58-41-2-24